

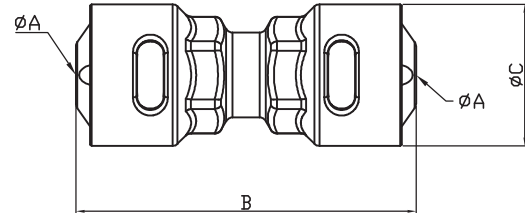
Permanent Type



COUPLING



Dimensions



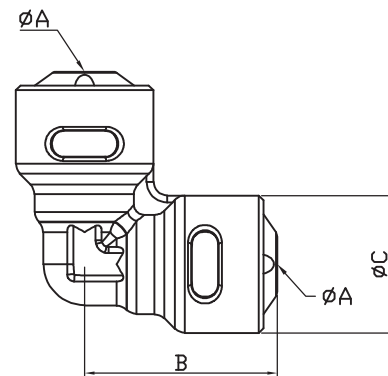
Model Number	Dimensions (mm)		
	ØA	B	ØC
SB1CP 1/4	6.35	48	20
SB1CP 3/8	9.52	50	24
SB1CP 1/2	12.7	54	27
SB1CP 5/8	15.88	57	30
SB1CP 3/4	19.05	65.5	37
SB1CP 7/8	22.22	66.5	40

* Coming Soon : 1-1/8"

ELBOW



Dimensions



Model Number	Dimensions (mm)		
	ØA	B	ØC
SB1EP 1/4	6.35	29.5	20
SB1EP 3/8	9.52	32	24
SB1EP 1/2	12.7	36	27
SB1EP 5/8	15.88	39	30
SB1EP 3/4	19.05	44	37
SB1EP 7/8	22.22	45	40

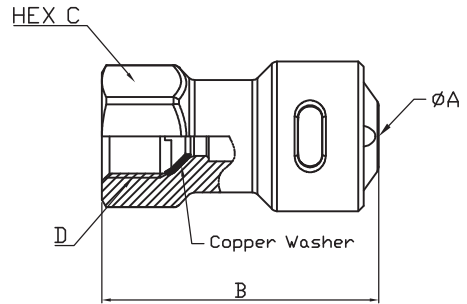
* Coming Soon : 1-1/8"

Permanent Type

FLARE ADAPTOR



Dimensions

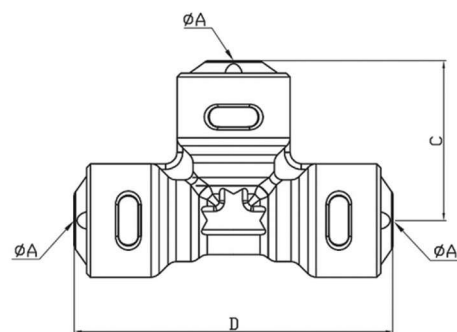


Model Number	Dimensions (mm)				Torque[N.m]
	ØA	B	HEX C	D	
SB1SP 1/4	6.35	38.5	17	7/16-20 UNF	18.0
SB1SP 3/8	9.52	41.5	22	5/8-18 UNF	32.0
SB1SP 1/2	12.7	46.5	24	3/4-16 UNF	49.0
SB1SP 5/8	15.88	53	27	7/8-14 UNF	70.0

TEE



Dimensions



Model Number	Dimensions (mm)		
	ØA	C	D
SB1TP 1/4	6.35	26	52
SB1TP 3/8	9.52	30	60
SB1TP 1/2	12.7	34	68
SB1TP 5/8	15.88	35.5	71